

# ASTROTUBE MAX

A NOVEL & LIGHTWEIGHT DEPLOYABLE BOOM

## HIGHLY VERSATILE

The AstroTube Max is a highly scalable, lightweight deployable boom to support a wide variety of missions:

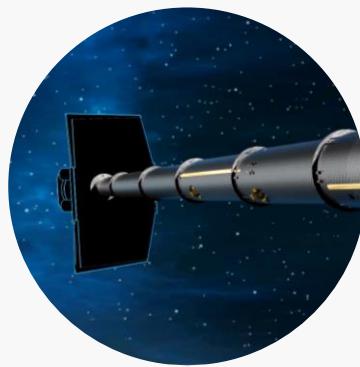
- > Large antenna reflector placement
- > Instrument positioning
- > Thruster deployment
- > Gravity gradient stabilisation



**FLIGHT-PROVEN OUTER  
TELESCOPIC COMPOSITE SHELL  
PROVIDES TUNABLE STIFFNESS**



**LOW COMPLEXITY, LIGHTWEIGHT  
DEPLOYMENT MECHANISM WITH  
MOTOR REDUNDANCY**



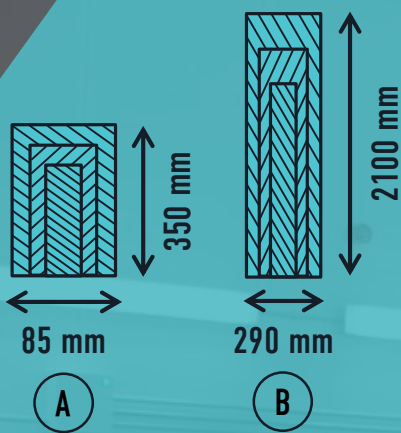
**UP TO 360° PAYLOAD  
ROTATION CAPABILITY  
(OPTIONAL)**

## TUNABLE & SCALABLE

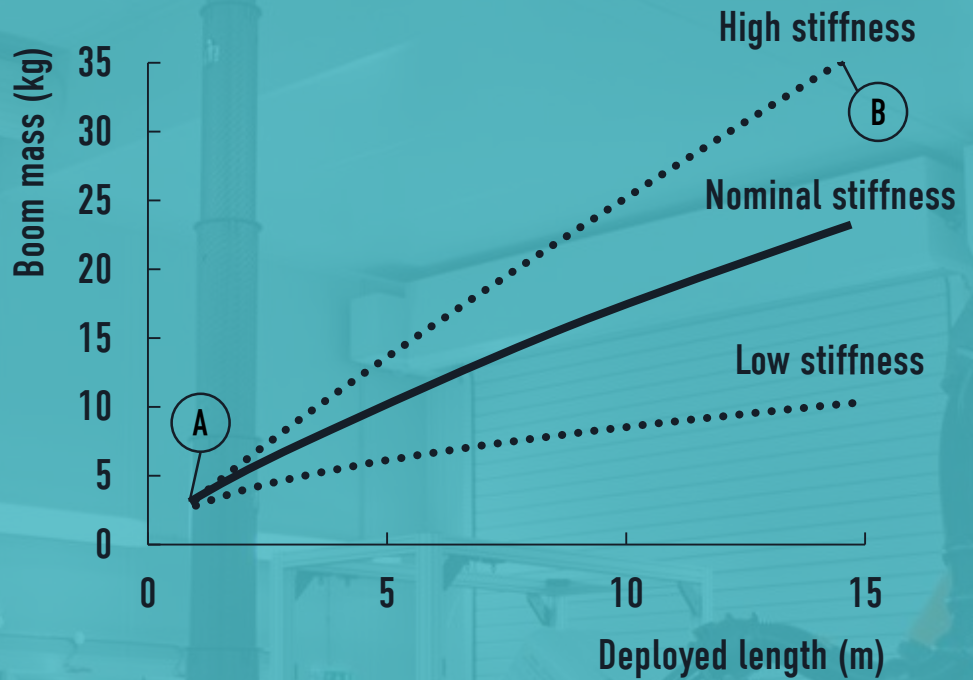
- > Scalable from 1 – 15 m
- > Single shot, partial deployment or fully retractable
- > Variable form factor/stowage envelope



STOWED ENVELOPE & INDICATIVE BOOM MASS



Examples of boom stowed envelope



The AstroTube Max is based on a TRL9, flight-proven outer telescopic shell and driving mechanism, with dual redundancy, providing high reliability while keeping mass and costs low.

The unique and scalable boom concept allows for a wide range of configurations tailored to your needs. Oxford Space Systems is open to co-engineering to suit specific requirements.

AstroTube Max next flight scheduled for Q4 2019.

Image shows Astrotube max undergoing laser vibrometry